

Air Regulator with T type Handle (SAR)

SAR200T~600T Series

- With the backflow function, the SAR series incorporates a mechanism which exhausts the air pressure through the outlet side efficiently.



SAR300T



SAR400T



SAR600T

How to order

SAR 4 00 T - 04 BGK

① Air Regulator

② Body Size

- 2 - 1/4
- 3 - 3/8
- 4 - 1/2, 3/4
- 6 - 1

③ Handle type

T - T type handle

④ Thread type

- Nil - Rc(PT)
- N - NPT
- G - G(PF)

⑤ Port Size

기호	사이즈	몸체 사이즈			
		2	3	4	6
01	1/8	●			
02	1/4	●	●		
03	3/8		●		
04	1/2			●	
06	3/4			●	●
10	1				●

⑥ Accessory(Optional)

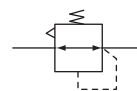
- Nil - None Bracket / None Gauge
- B - Bracket
- G - Gauge

G	Round type
Gs	Square embedded type

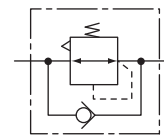
K - With backflow function

Symbol

SAR



SAR with backflow function



Specification

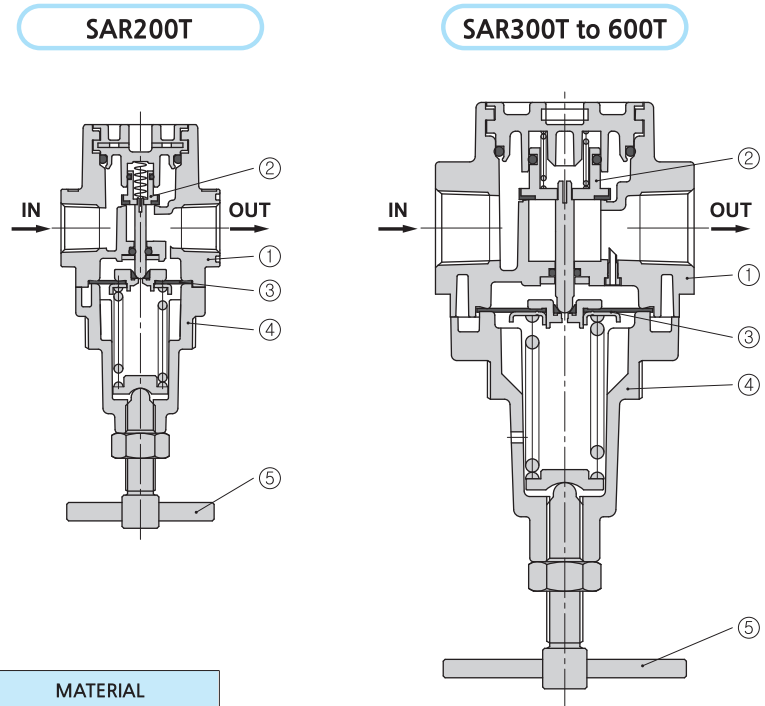
Fluid	Compressed Air			
Max. operating pressure	10bar (1.0MPa)			
Max. supply pressure	15bar (1.5MPa)			
Ambient and Media temp.	-5 ~ 60°C (No freezing)			
Regulating range	0.5~8.5bar (0.05~0.85MPa)			
Gauge port	SAR200T	SAR300T	SAR400T	SAR600T
		1/8		1/4
Construction	Relief type			

Precautions

- ① Set the outlet pressure range for the regulator in a range that is 85% or less of the inlet pressure. If set above 85%, the inlet pressure will be easily effected by fluctuations in the flow rate and inlet pressure, and will become unstable.
- ② To set the pressure using the knob, turn the knob in the direction that increases pressure and lock the knob after the pressure is set. If this is done in the direction that decreases pressure, the pressure may drop from the original set pressure. Turning the knob clockwise increases the outlet pressure, and turning it counterclockwise reduces the pressure.
- ③ Please contact SKP when a circuit requires the use of a regulator having relief sensitivity with high precision and setting accuracy.
- ④ Residual pressure release (outlet pressure release) is not complete by releasing the inlet pressure. To release residual pressure, select a model with a back flow mechanism.

Air Regulator with T-type Handle

STRUCTURE / PARTS



Component Parts

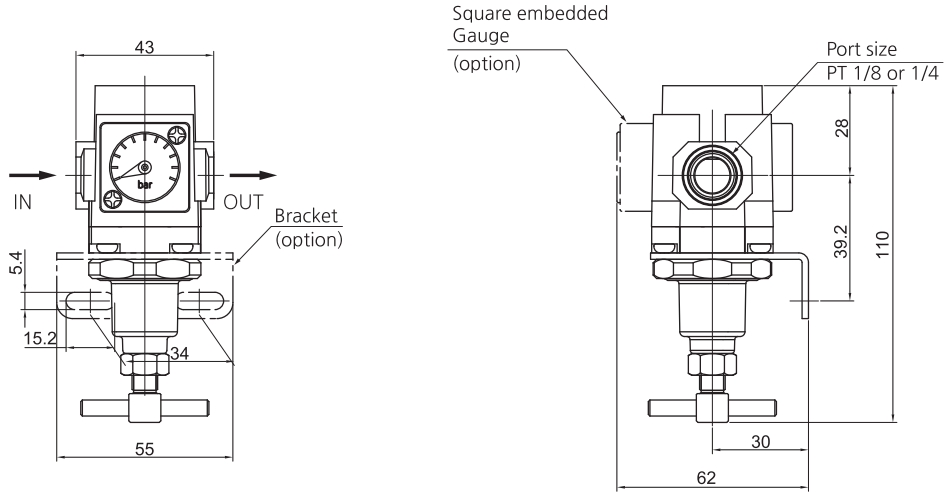
No.	PARTS	MATERIAL
①	Body	ALDC
②	Check valve Ass'y	Brass, NBR
③	Diaphragm Ass'y	NBR
④	Cover	ALDC
⑤	Handle	Steel

Series SAR100T~600T

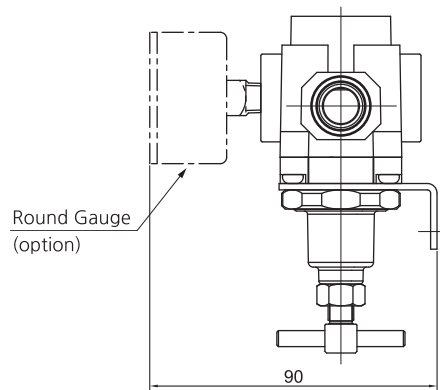
DIMENSIONS (mm)



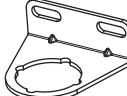
SAR 200T

- SAR200T-□02□□



- Dimensions of each model with an option attached



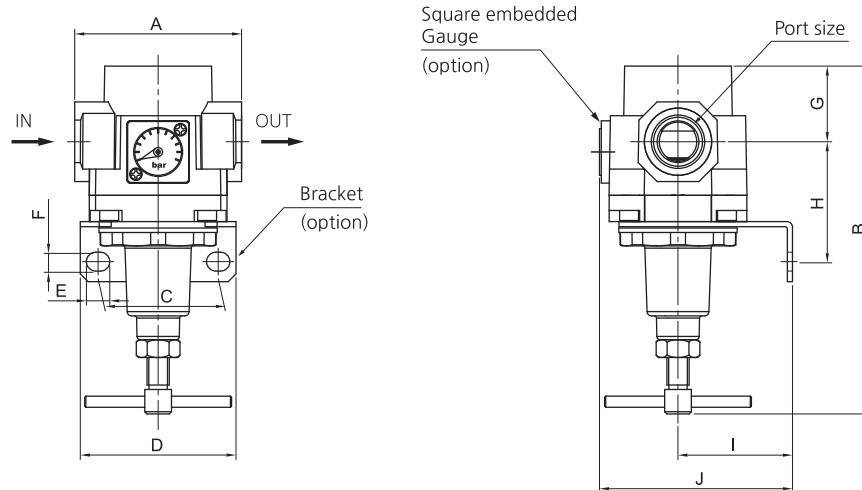
Option	Gs : Square embedded Gauge	G : Round type Gauge	B : Bracket
Model	 Gs28	 G40, R1/8	 B220

Air Regulator with T-type Handle

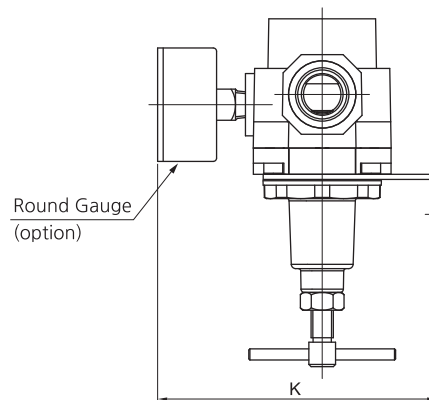
DIMENSIONS (mm)




SAR 300T~400T

- SAR300T-□03□□
- SAR400T-□04(06)□□



- Dimensions of each model with an option attached



Option	G : Square embedded type Gauge	G : Round type Gauge	B : Bracket
Model	 Gs28	 SAR300 : G40, R1/8 SAR400 : G50, R1/4	 SAR300 : B320 SAR400 : B420

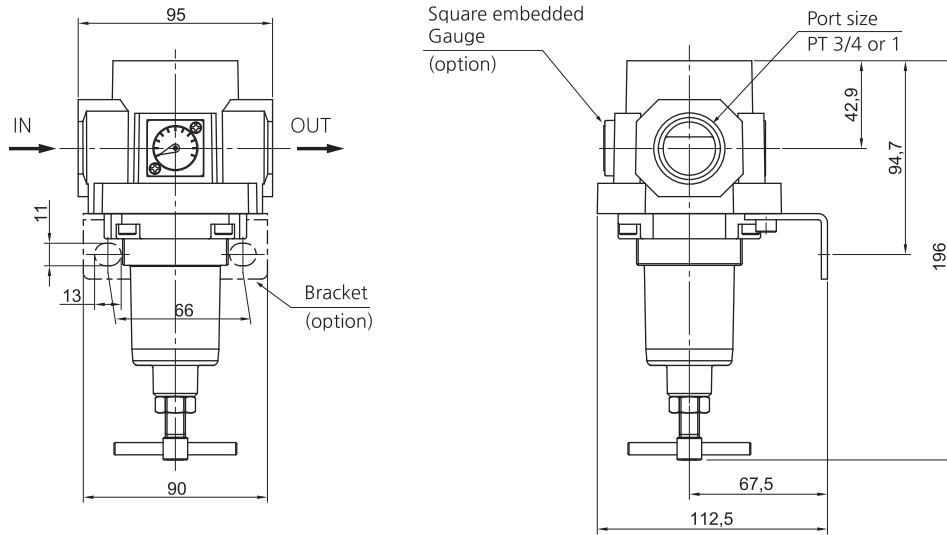
Model	Port size	A	B	C	D	E	F	G	H	I	J	K
SAR300T-03	1/4 or 3/8	57	150	40	53	8	6.5	28.4	45.7	41	72	107
SAR400T-04	1/2	75	158	54	70	10.5	8.5	34	54	50	87	127
SAR400T-06	3/4	75	160	54	70	10.5	8.5	34.5	55.5	50	87	127

Series SAR100T~600T

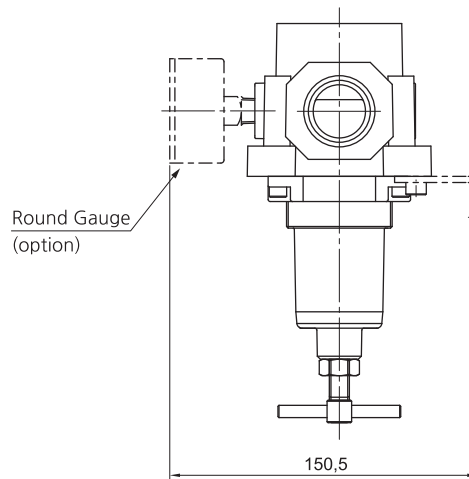
DIMENSIONS (mm)



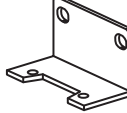
SAR 600T

- SAR600T-□06□□
- SAR600T-□10□□



- Dimensions of each model with an option attached



Option	G : Square embedded type Gauge	G : Round type Gauge	B : Bracket
Model	 Gs28	 G50, R1/4	 B600