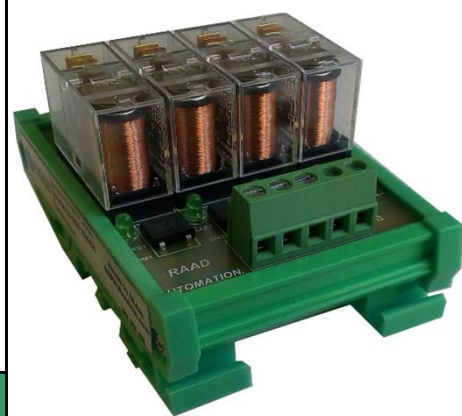
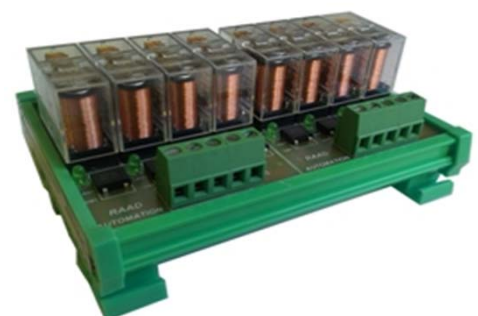


24V DC relay
AC/DC control voltage
Dc without polarity
Status LED display



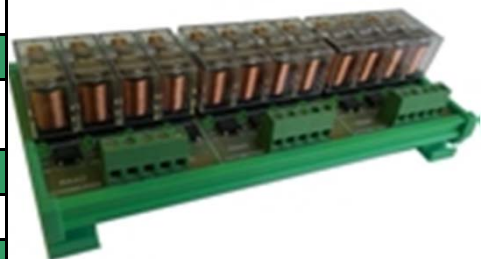
CONTACT: 4N.O 2N.C

INPUT TECHNICAL DATA	
Rate Voltage DC(without polarity)	24 v DC
Rate Current(1 chanel)	34.6mA
TURN ON time	15ms
TURN OFF time	10msAC/5ms DC
Protectchon Circuit	Damping and polarity
Max.Switching Voltage	380 VAC,125VDC
Max.Switching current	16A



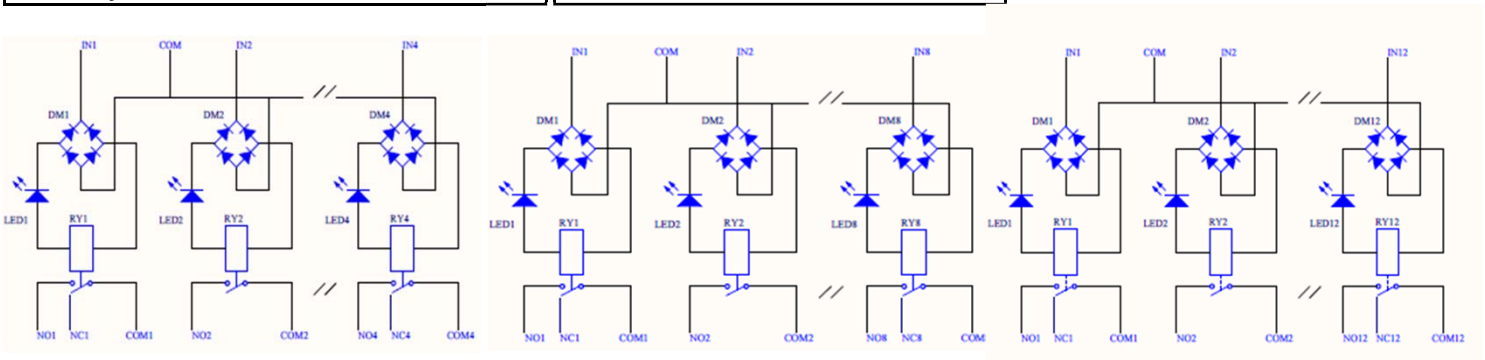
CONTACT: 8N.O 4N.C

OUT PUT TECHNICAL	
Rated Load(resistive)	10A at 250VAC,10A at 30 VDC
Relay Life time	20.000.000 operations min
Rated Load (inductive load)	10 A at 250 VAC,10 A at 30VDC



CONTACT: 12N.O 6N.C

GENERAL TECHNICAL DATA	
Operating temperature range	-40~+70°C
Coil/contact isolotion	5Kvac/60HZ S
Isolation between out put terminals	10KVac/60 S (between open contact)
Statuses display	green LED
Connection terminal	2.5mm2 fixed screw type
Approx.Weight	150gr 280gr 410 gr
Humidity	85%RH or less



RELAY-4CH

RELAY-8CH

RELAY-12CH

type \ size	W(mm)	H(mm)	D(mm)
4CH	60	85	50
8CH	115	85	50
12CH	170	85	50